

**XR Engines**



# Quality and value, trusted for over a century.

XR 550-2100  
Gasoline Engines



**YOU.POWERED.**

# XR Series gasoline engines: reliable, durable, powerful.

The Briggs & Stratton® XR Series of commercial engines are reliable and durable, designed to generate power for industries such as construction, industrial, landscaping, power generation and railway.

## Long engine life

The XR engine utilizes various commercial design features to increase its robustness and durability. Components such as the cast iron cylinder sleeve, forged crankshaft and dual ball bearings have effectively extended engine life, enabling long-lasting use of the engines. Harsh laboratory tests and site examinations further ensures the XR engine's outstanding performance in machinery.

## Easy start

Carefully configured and optimally designed, the carburetor, large inertia machinery decompression device and high-energy ignition system equipped the XR engine with excellent starting performance. Whether it is in a cold or hot state, the engine can start effortlessly.

## Robust power

The OHV and combustion chamber with computer-aided design boosts the engine's combustion efficiency, strengthening its power output and reducing fuel consumption.



	<b>XR550</b>	<b>XR750</b>	<b>XR950</b>	<b>XR1150</b>	<b>XR1450</b>	<b>XR2100</b>
Model	0831	1062	130G	15T2	19N1	25T2
Gross Power (HP)*@3600rpm	3.5	5.0	6.5	7.0	10.0	13.5
Displacement (cc)	127	163	208	250	306	420
Bore x Stroke (in)	2.44 x 1.65	2.68 x 1.77	2.76 x 2.13	2.97 x 2.2	3.23 x 2.28	3.54 x 2.6
Fuel capacity (gal)	0.5	0.8	0.8	0.8	0.8	1.709
Oil capacity (oz)	20	20	20	20	37	37
Weight (lbs)	29.5	33.6	33.5	33.1	57.4	71.6
Measurements (L x W x H) (in)	10.1 x 13.4 x 13.4	11.3 x 14.6 x 14.0	11.3 x 14.4 x 14.9	10.9 x 15.3 x 15.6	12.6 x 17.0 x 16.5	14.5 x 18.1 x 18.3
Optional Configurations	6:1 gear reduction Red housing	Oil bath air filter Plate air filter Red housing	Oil bath air filter Plate air filter 2:1 gear reduction 12V electric start 1.5A & 3A alternator 6:1 gear reduction Red housing	Plate air filter 12V electric start 1.5A & 3A alternator 2:1 gear reduction Red housing	Plate air filter 12V electric start 3A & 10A alternator 6:1 gear reduction Red housing	Plate air filter 12V electric start 3A & 10A alternator Red housing

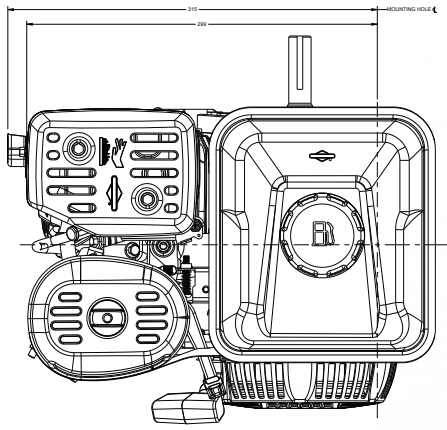
2-Year Commercial Warranty, 2-Year Consumer Limited Warranty\*\*\*

\* Power levels are stated gross horsepower per SAE J1940 as rated by Briggs & Stratton.

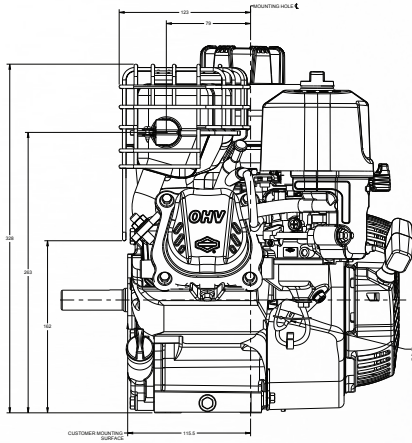
\*\* Briggs & Stratton reserves the right to change product specifications without prior notice.

\*\*\* See [briggsandstratton.com](http://briggsandstratton.com) for warranty information.

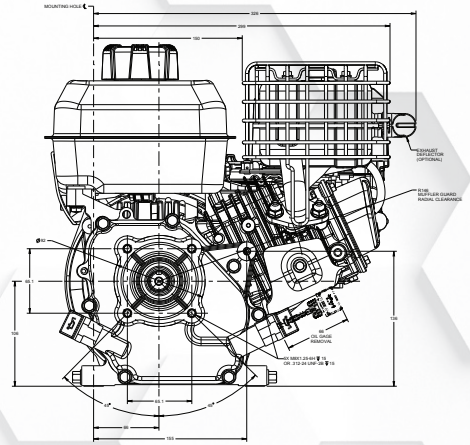
# XR550 - 3.5 Gross HP\*



Top

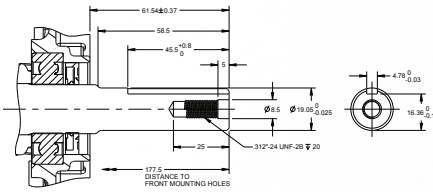


Side

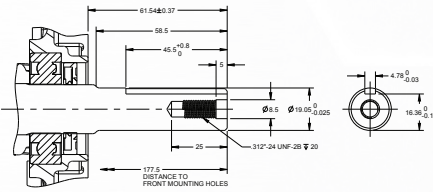


PTO

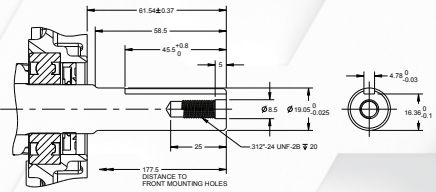
### 3/4" straight keyway shaft



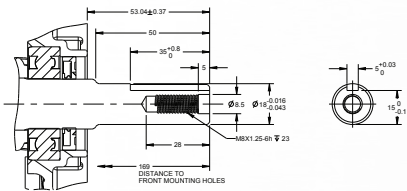
### 5/8" straight keyway shaft



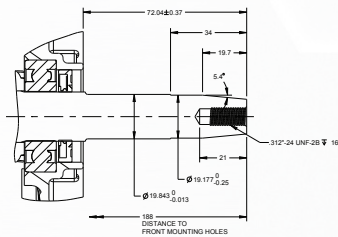
### 5/8" straight keyway shaft



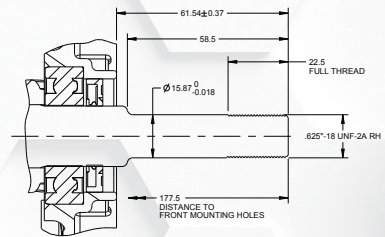
### 18mm straight keyway shaft



### SAE tapered shaft

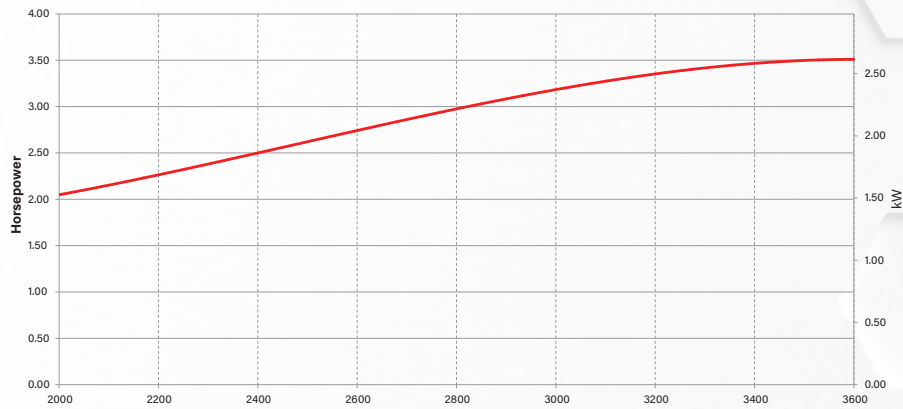


### 5/8" external thread shaft

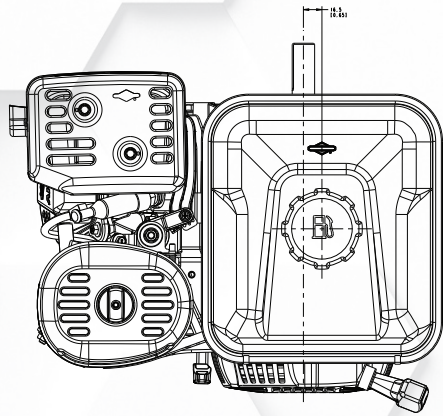


### Gross Power\*

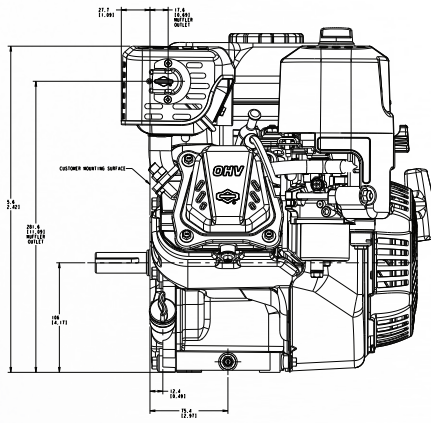
### 0831 3.5 HP Gross Power



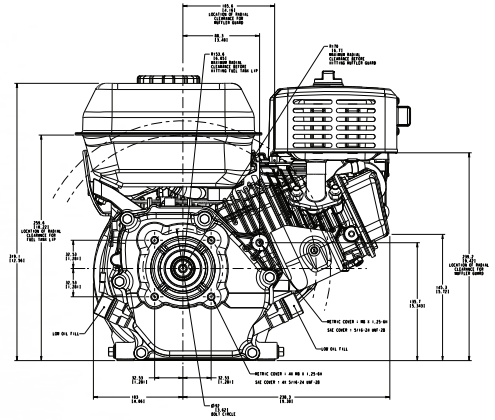
# XR750 - 5.0 Gross HP\*



Top

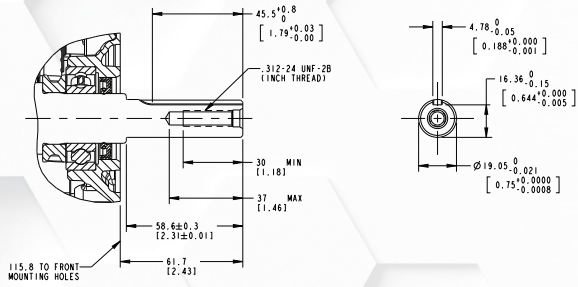


Side

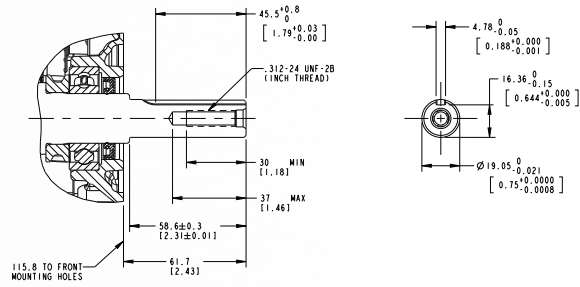


PTO

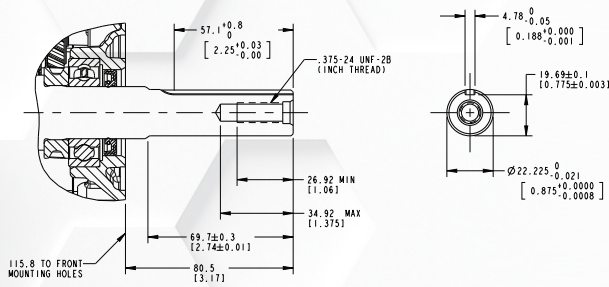
## 3/4" Straight Keyway Shaft



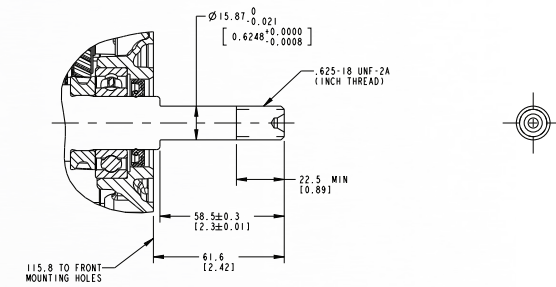
## 20mm Straight Keyway Shaft



## 7/8" Tapered Shaft

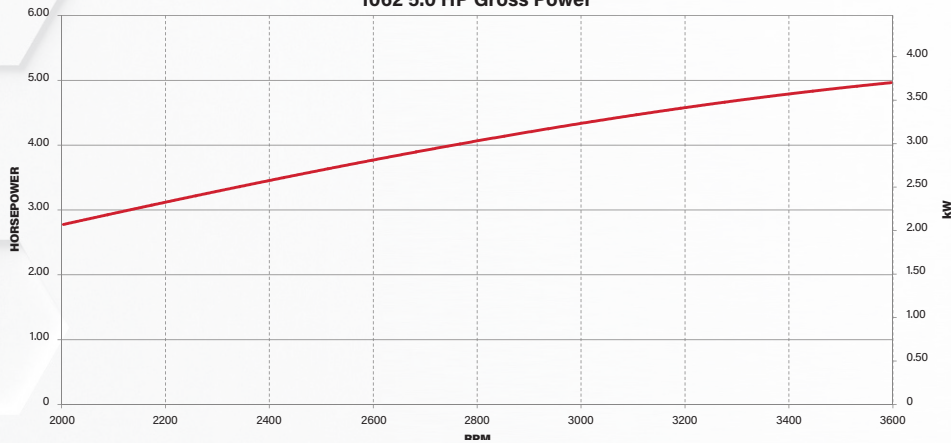


## 5/8" External Thread Shaft

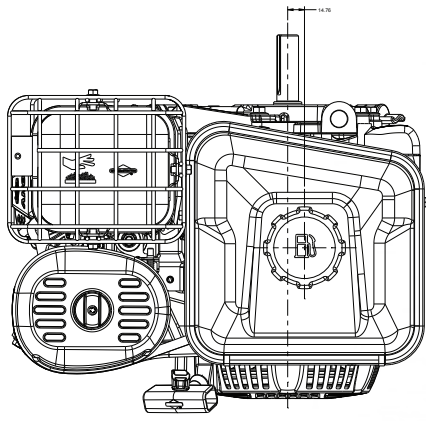


## Gross Power\*

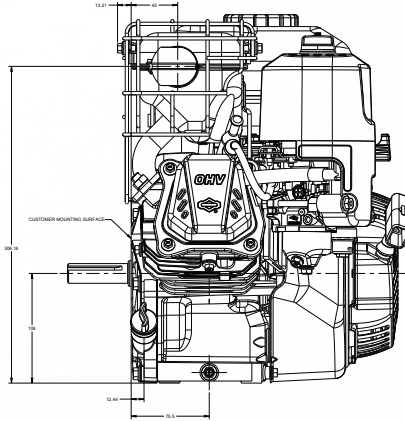
## 1062 5.0 HP Gross Power



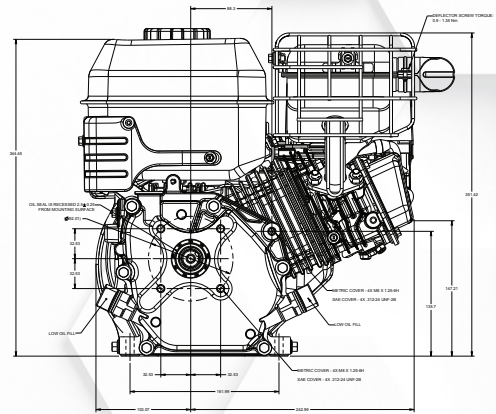
# XR950 - 6.5 Gross HP\*



Top

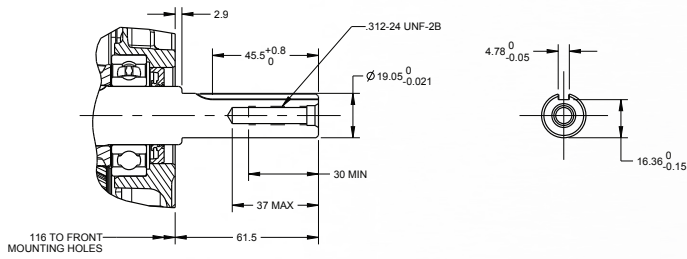


Side

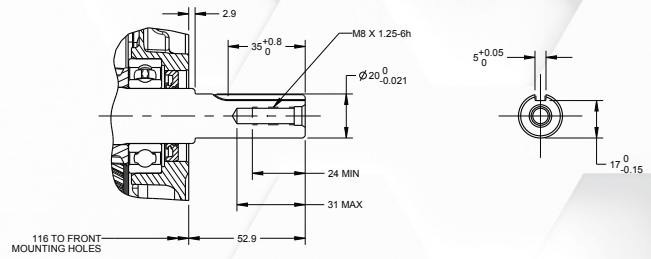


PTO

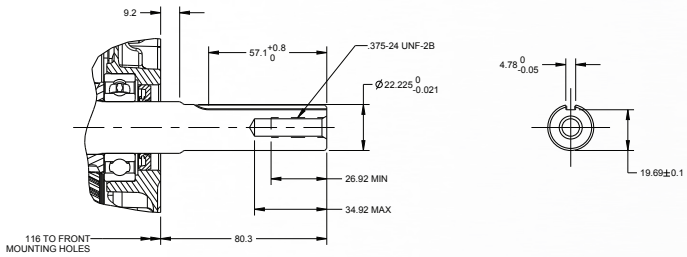
## 3/4" Straight Key



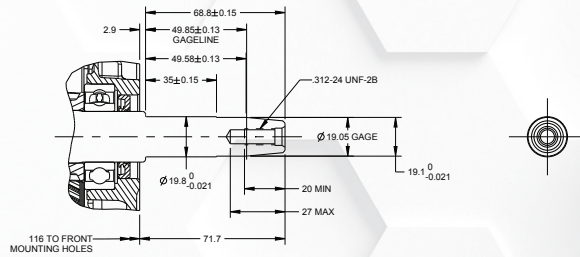
## 20mm Straight Key



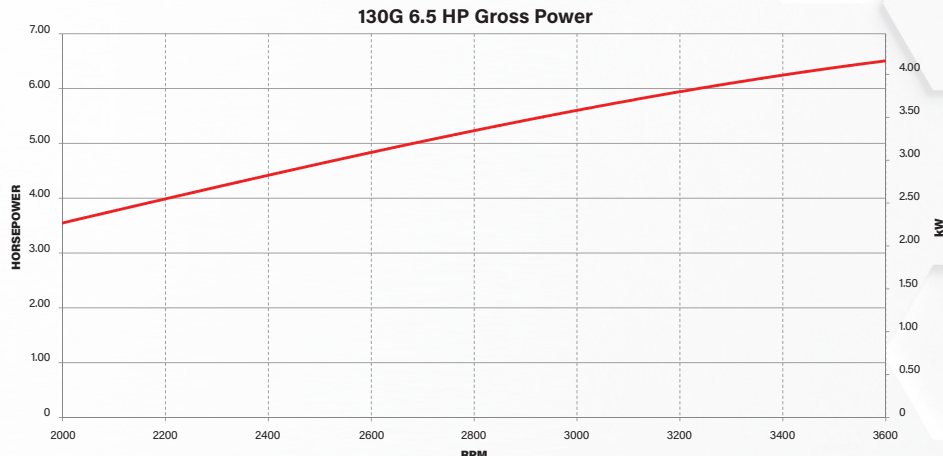
## 7/8" Straight Key



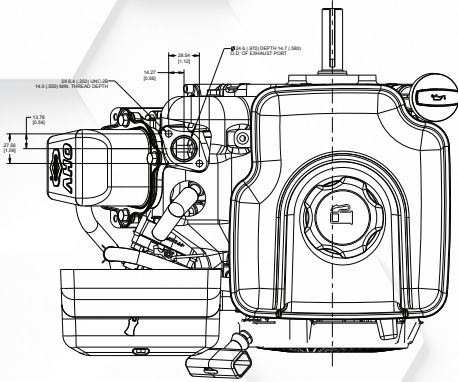
## 3/4" Taper Key



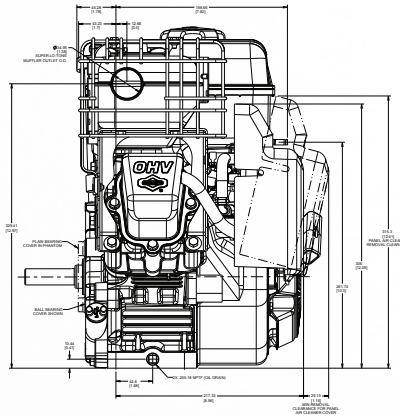
## Gross Power\*



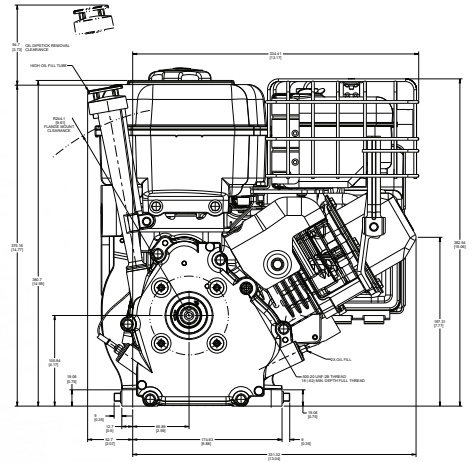
# XR1150 - 7.0 Gross HP\*



Top

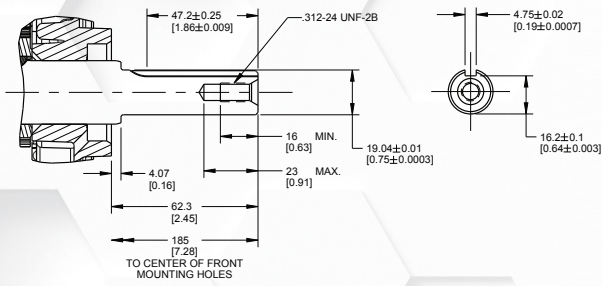


Side

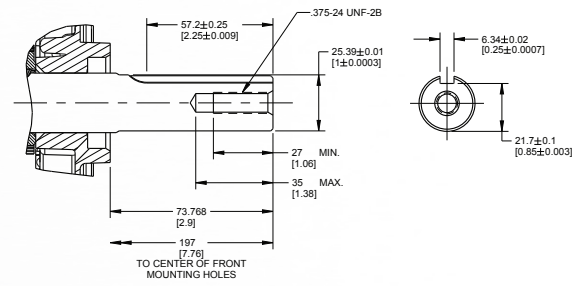


PTO

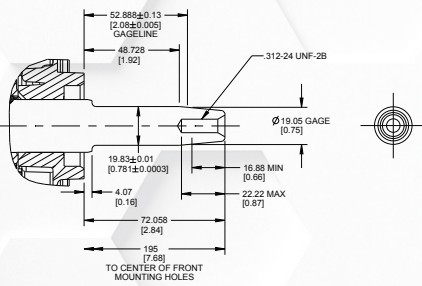
## 3/4" Straight Key



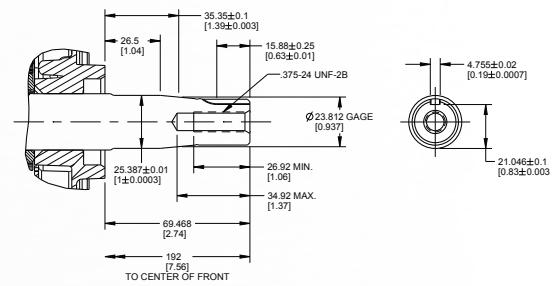
## 1" Straight Key



## .781" Taper Key

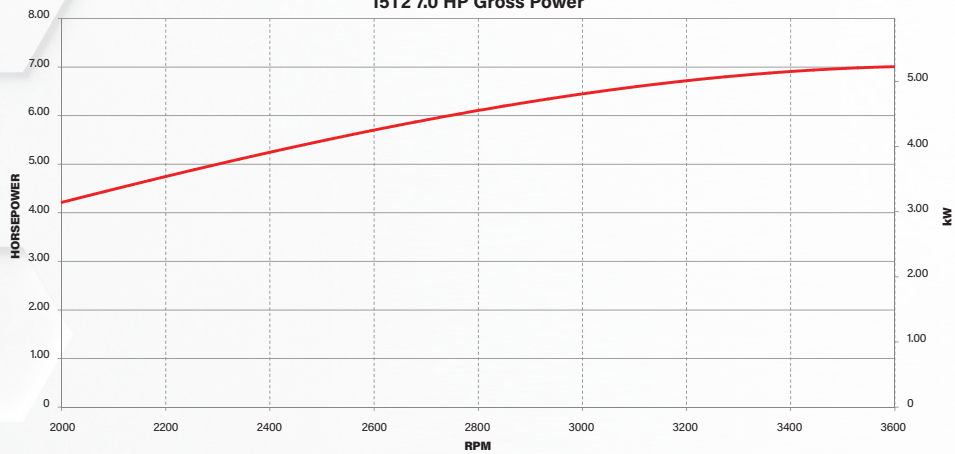


## 7/8" Taper Key

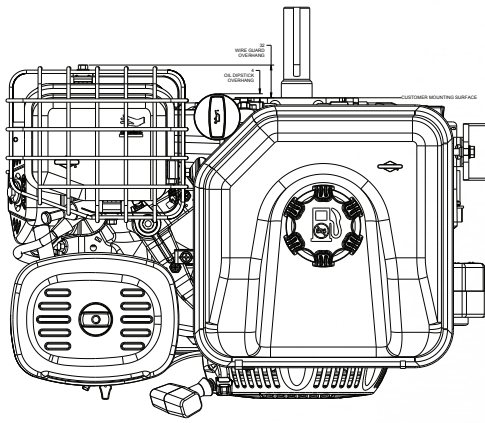


## 15T2 7.0 HP Gross Power

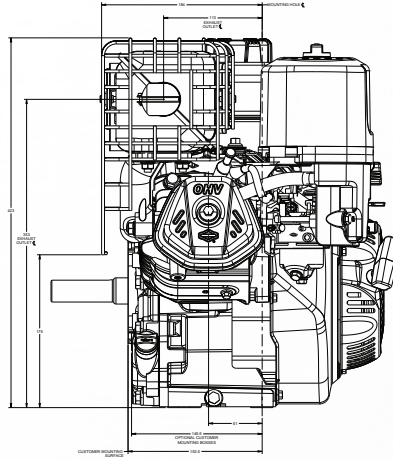
### Gross Power\*



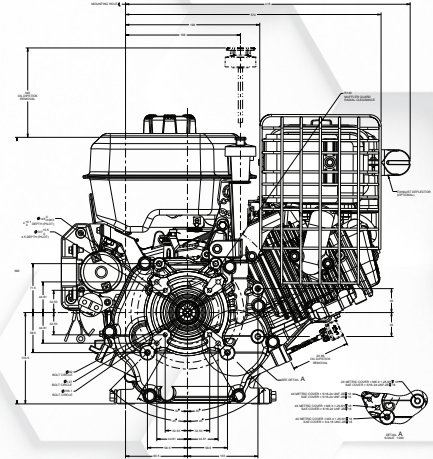
# XR1450 - 10.0 Gross HP\*



**Top**

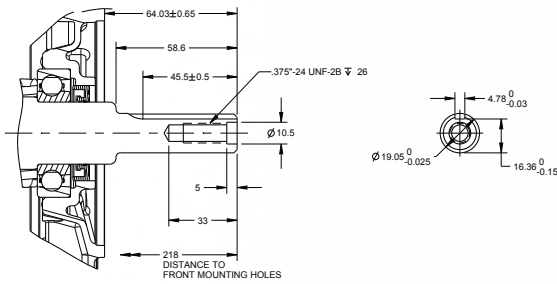


**Side**

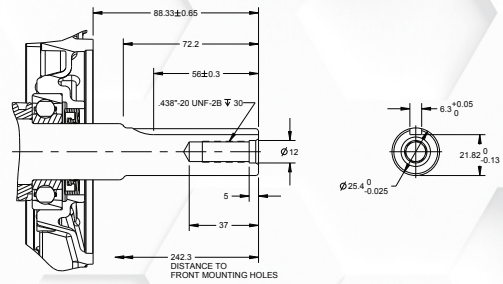


**PTO**

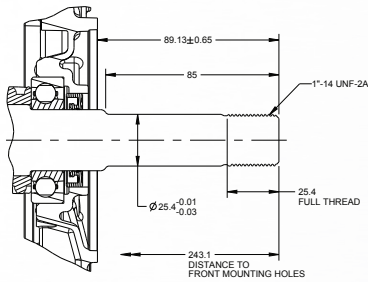
**3/4" Straight Keyway Shaft**



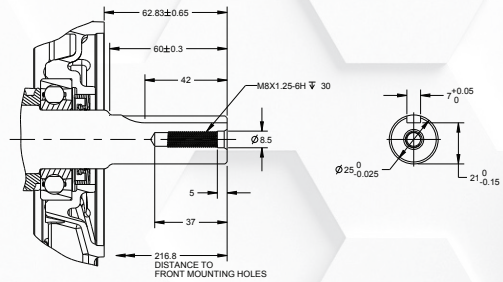
**1" Tapered Shaft**



**1" External Thread**



**25mm Straight Keyway Shaft**



**Gross Power\***

